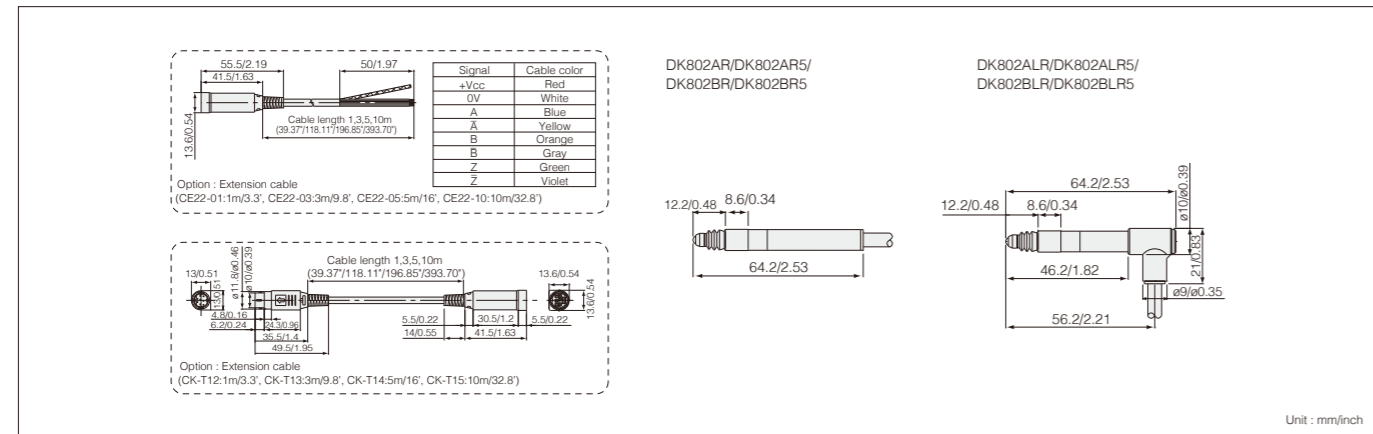


DK802

Specifications				
Model	High resolution type		General purpose type	
	DK802AR, DK802ALR	DK802BR, DK802BLR	DK802AR5, DK802ALR5	DK802BR5, DK802BLR5
Output	A/B/REF differential TTL output (compliant with EIA-422)			
Resolution	0.1 μm		0.5 μm	
Measuring range	2 mm (0.08")			
Accuracy (at 20°C / 68°F)	1 μm		1.5 μm	
Measuring force (at 20°C / 68°F)	Downward: 0.45 ± 0.25 N Horizontal: 0.40 ± 0.25 N Upward: 0.35 ± 0.25 N			
Reference point	One location (at 1 mm/0.04" position of spindle movement)			
Maximum response speed	80 m/min	42 m/min	250 m/min	100 m/min
Air driving	Vacuum suction (DK802ALR / DK802ALR5 / DK802BLR / DK802BLR5)			
Vibration resistance (10 to 2000 Hz)	100 m/s ²			
Impact resistance (11 ms)	1000 m/s ²			
Protective structure	IP66 (not including interpolation box and connectors)			
Operating temperature	0°C to 50°C/32°F to 122°F			
Storage temperature	-20°C to 60°C/-4°F to 140°F			
Power supply voltage	DC +5 V ±5%			
Power consumption	1 W			
Cable length	2.5 m/8.2'			
Diameter of stem	ø8 / 0.31" dia.			
Mass*1	Approx. 20 g/0.7 oz			
Feeler	Provided with a carbide ball tip (DZ-123) Mount screw M2.5		Provided with a steel ball tip Mount screw M2.5	
Accessories	+P M4x5 screw (2pcs.), Installation spacer, Instruction Manual, Supplement			
Output cable length (up to the electronic section)	22 m/72.2' max.			

*1: The mass indicated is the total mass excluding the cable and interpolation box.



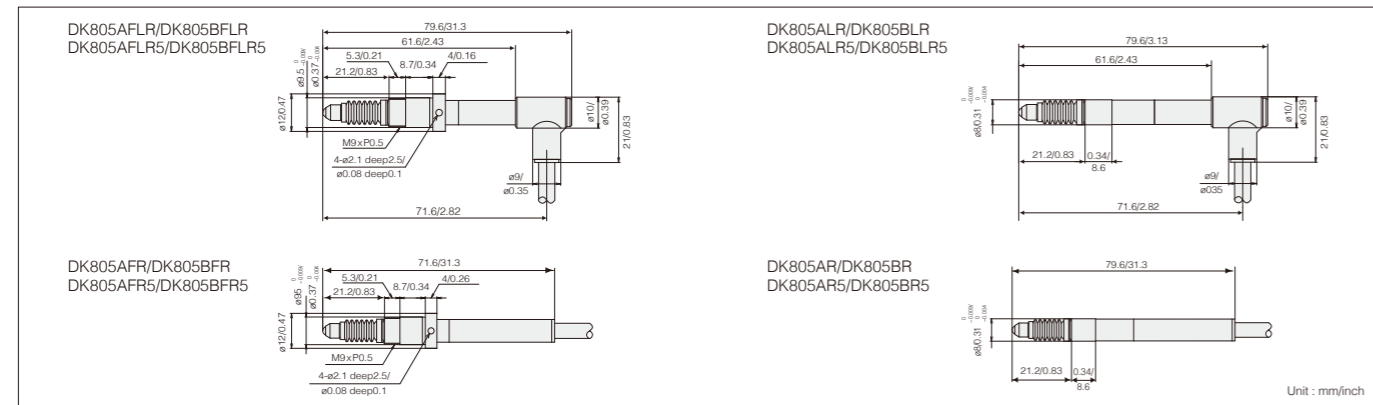
Unit : mm/inch

DK805

Specifications				
Model	High-resolution models		General-purpose resolution model	
	DK805AFR, DK805AFLR, DK805AR, DK805ALR	DK805BFR, DK805BFLR, DK805BR, DK805BLR	DK805AFR5, DK805AFLR5, DK805AR5, DK805ALR5	DK805BFR5, DK805BFLR5, DK805BR5, DK805BLR5
Output	A/B/ phase voltage-differential line driver output (compliant with EIA-422) *Please see P17 Output Signal Phase Difference.			
Resolution	0.1 μm		0.5 μm	
Measuring range	5 mm (0.19")			
Accuracy (at 20°C/68°F)	1 μm		1.5 μm	
Measuring force(at 20°C/68°F)	Downward: 0.45 ± 0.25 N Horizontal: 0.40 ± 0.25 N Upward: 0.35 ± 0.25 N			
Reference point	One location (at 1 mm/0.04" position of spindle movement)			
Maximum response speed	80 m/min	42 m/min	250 m/min	100 m/min
Air driving	Vacuum suction (DK805AFLR / DK805AFLR5 / DK805BFLR / DK805BFLR5 / DK805ALR / DK805ALR5 / DK805BLR / DK805BLR5)			
Vibration resistance (10 to 2000 Hz)	100 m/s ²			
Shock resistance (11 ms)	1000 m/s ²			
Protective structure	IP66 (not including interpolation box and connectors)			
Operating temperature	0°C to 50°C/32°F to 122°F			
Storage temperature	-20°C to 60°C/-4°F to 140°F			
Power supply voltage	DC +5 V ±5%			
Power consumption	1 W			
Cable length*1	2.5 m/8.2'			
Diameter of stem	ø9.50 ^{+0.009} / 0.37" ⁰ / 0.004" dia.			
Mass*2	Approx. 30 g/1.06 oz			
Feeler	Provided with a carbide ball tip (DZ-123) Mount screw M2.5		Provided with a steel ball tip Mount screw M2.5	
Accessories	Installation spacer, Instruction Manual, Supplement			
Output cable length (up to the electronic section)	22 m/72.2' max.			

*1 : Please refer to P10 DK 802 A/B about the extension cable (Option).

*2 : The mass indicated is the total mass excluding the cable and interpolation box.

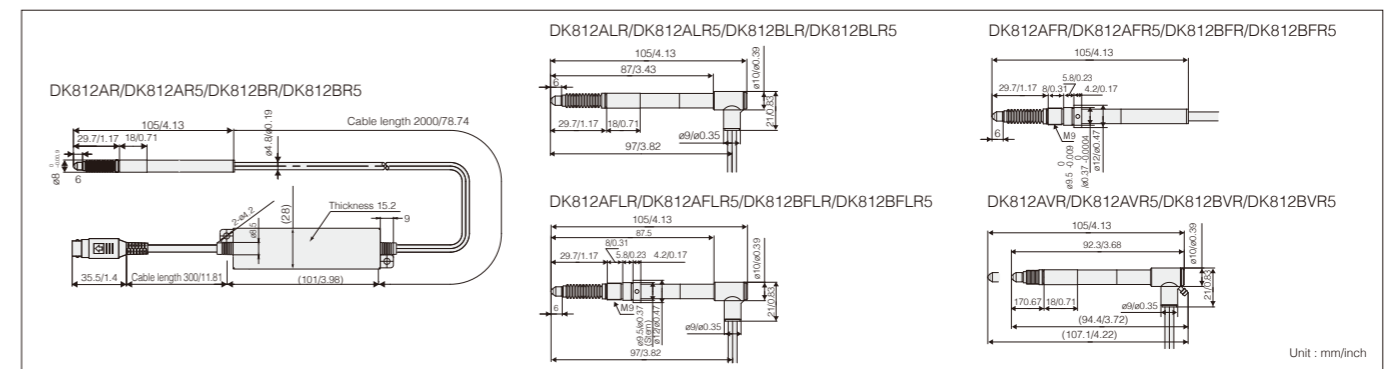


Unit : mm/inch

DK812

Specifications				
Model	High-resolution models		General-purpose resolution models	
	DK812AR, DK812ALR, DK812AFR, DK812AFLR, DK812AVR	DK812BR, DK812BLR, DK812BFR, DK812BFLR, DK812BVR	DK812AR5, DK812ALR5, DK812AFR5, DK812AFLR5, DK812AVR5	DK812BR5, DK812BLR5, DK812BFR5, DK812BFLR5, DK812BVR5
Output	A/B/ phase voltage-differential line driver output (compliant with EIA-422)			
Resolution	0.1 μm		0.5 μm	
Measuring range	12 mm (0.47")			
Accuracy (at 20°C / 68°F)	1 μm		1.5 μm	
Measuring force (at 20°C / 68°F)	Downward: 0.6 ± 0.3 N Horizontal: 0.5 ± 0.3 N Upward: 0.4 ± 0.3 N		Air pressure of 0.03Mpa : 1N or less in all directions Air pressure of 0.04Mpa : 1.7N or less in all directions	
Reference point	One location (at 1 mm/0.04" position of spindle movement)			
Maximum response speed	80 m/min	42 m/min	250 m/min	100 m/min
Air driving	Vacuum suction (DK812AFLR / DK812AFLR5 / DK812BFLR / DK812BFLR5) Pneumatic push type (DK812AVR / DK812AVR5 / DK812BVR / DK812BVR5)			
Vibration resistance (10 to 2000 Hz)	100 m/s ²			
Impact resistance (11 ms)	1000 m/s ²			
Protective structure	IP66 (not including interpolation box and connectors)			
Operating temperature	0°C to 50°C/32°F to 122°F			
Storage temperature	-20°C to 60°C/-4°F to 140°F			
Power supply voltage	DC +5 V ±5%			
Power consumption	1 W			
Cable length*2	2.5 m/8.2'			
Diameter of stem	ø9.5/0.37" dia. (Flange type), ø8/0.31" dia. (others)			
Mass*1	Approx. 30 g/1.06 oz			
Feeler	Provided with a carbide ball tip (DZ-123) Mount screw M2.5		Provided with a steel ball tip Mount screw M2.5	
Accessories	+P M4x5 screw (2pcs.), Installation spacer, Instruction Manual, Supplement			
Output cable length (up to the electronic section)	22 m/72.2' max.			

*1 : Please refer to P10 DK 802 A/B about the extension cable (Option). *2 : The mass indicated is the total mass excluding the cable and interpolation box.

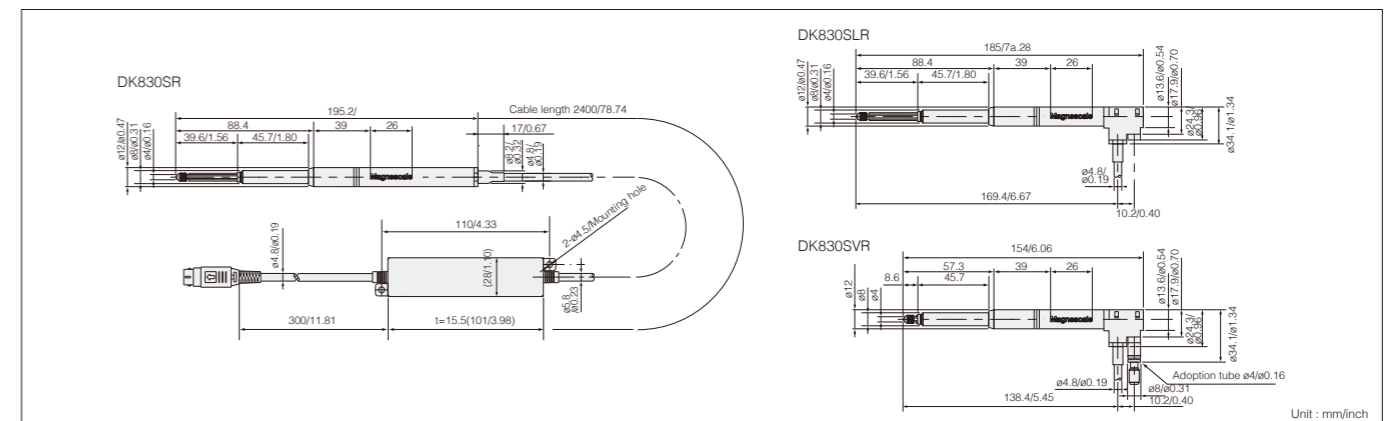


Unit : mm/inch

[NEW] DK830

Specifications			
Model	DK830SR	DK830SLR	DK830SVR
Measuring range	30 mm		
Resolution	0.1 μm		
Accuracy(at 20°C / 68°F)	1.3 μm		1.7 μm
Measuring force	Upperward: 0.5 ±0.35 N		Air presser 0.07 Mpa 1.9 N or less for all diection Air presser 0.09 Mpa 2.6 N or less for all diection
	Horizontal: 0.6 ±0.35 N		
	Downward: 0.7 ±0.35 N		
Operating temperature	0 to 50°C		
Storage temperature	-20 to 60°C		
Maximum response speed	80 m/min		
Reference response speed	80 m/min		
Air driving	non		Pneumatic push type
Reference point position	One point at 1mm spindle move		
Protective design grade (Note1)	IP53	IP53/IP67 (Note2)	
Vibration resistance	10 to 2kHz 100 m/s ²		
Impact resistance	1000 m/s ² 11 ms		
Cable length	Approx. 2.4 m		
Diameter of stem	ø8		
Feeler	Provided with a carbide tip, Mounting screw M2.5		
Power supply voltage	DC 5 V ±5 %		
Power consumption	1 W		
Mass (Note3)	Approx. 70 g	Approx. 80 g	
Output	A/B/REF voltage-differential line driver output (compliant with EIA-422)		
Guaranteed number of strokes	20 million or more	10 million or more	
Output cable length (up to the electronic section)	22 m MAX		
Accessories	Spanner, Instruction manual, Supplimanet, +P M4x5 screw(2 pcs.)		

Note1: Except interpolation box and connector Note2: Bellows set(Option accessory) Note3: Except cable and interpolation box Note4: According to the evaluation method of Magnescale.



Unit : mm/inch